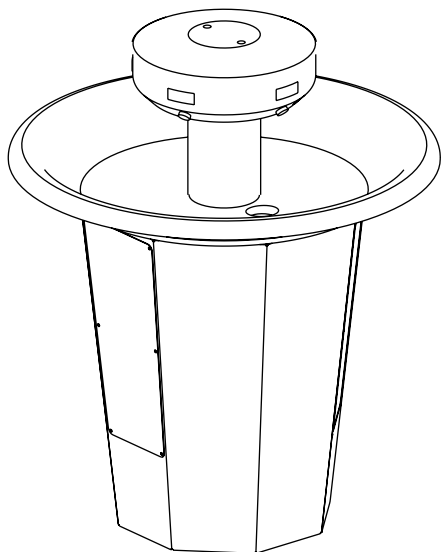


# Installation



SN2005/IR

## SN2005/IR

**Sentry 36-Inch Circular  
Washfountain with  
Infrared Control**



**Lavabo fontaine circulaire  
36 po (914 mm) à commande  
à infrarouge Sentry**

**Fuente de lavado circular Sentry de  
36" (914 mm) con control infrarrojo**

### Table of Contents

Cleaning Instructions . . . . .	2
Supplies Required. . . . .	3
Rough-In Information . . . . .	4
Installation Instructions . . . . .	5
Optional Equipment Installation. . . . .	8
Cleaning and Maintenance . . . . .	9
Troubleshooting . . . . .	10

### Sommaire

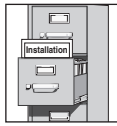
Instructions relatives au nettoyage . . . . .	12
Fournitures requises. . . . .	12
Informations sur la mise en place des tuyauteries . . . . .	13
Instructions relatives à l'installation . . . . .	15
Installation de l'équipement optionnel . . . . .	18
Nettoyage . . . . .	19
Dépannage . . . . .	20

### Tabla de contenidos

Instrucciones de limpieza . . . . .	22
Materiales necesarios . . . . .	22
Información sobre tuberías empotradas . . . . .	23
Instrucciones de instalación . . . . .	25
Instalaciones de equipos opcionales . . . . .	28
Limpieza . . . . .	29
Solución de problemas . . . . .	30



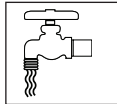
## IMPORTANT!



Read this entire installation manual to ensure proper installation. When finished with the installation, file this manual with the owner or maintenance department. Compliance and conformity to local codes and ordinances is the responsibility of the installer.



Separate parts from packaging and make sure all parts are accounted for before discarding packaging material. If any parts are missing, do not begin installation until you obtain the missing parts.



Make sure that all water supply lines have been flushed and then completely turned off before beginning installation. Debris in supply lines can cause valves to malfunction.



Product warranties may be found under "Products" on our web site at [bradleycorp.com](http://bradleycorp.com).

### Supplies required for installation:

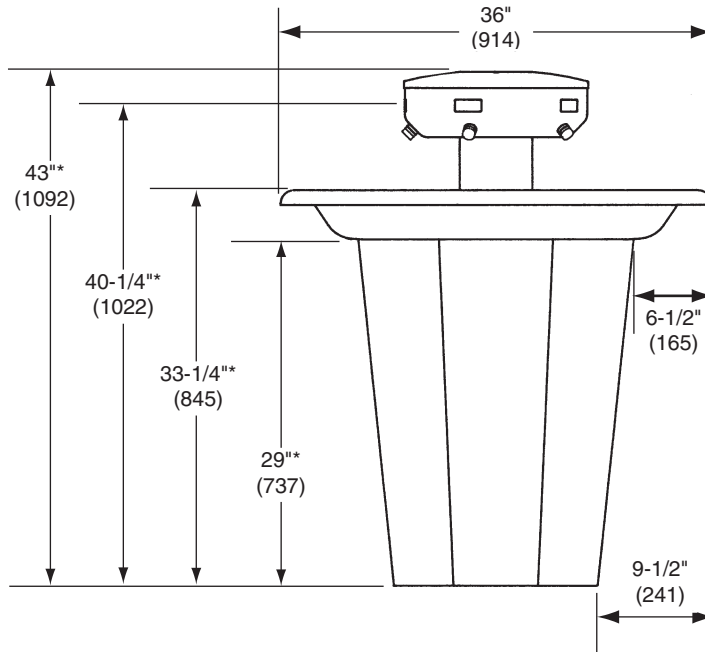
- 3/8" diameter bolts and floor/wall anchors to anchor washfountain pedestal to floor and wall
- 1/2" nominal copper tubing for hot and cold water supply lines
- Standard P-trap (trap included with "B" or "H" drain type and some optional equipment)
- 1-1/2" drain lines and fittings
- Pipe sealant

### Supplies recommended for installation:

- 1-1/2" vent or tie pipe on types vented through washfountain column
- Caulk (may be applied between backsplash and bowl to avoid debris accumulation)
- Electrical cut-off switch to the unit. This feature prevents accidental water delivery during regular maintenance and service.

# Dimensions - Sentry™ 36" Circular Washfountain

(mm)



**\* Subtract 4" (102) from this dimension for juvenile height model.**

# Rough-In Dimensions for Supplies and Drain

(mm)

## Notes

Maximum flow rate required to washfountain is 1.5 GPM (5.7 LPM). Size supply lines accordingly.

Supplies from Below: Stub up 2-1/2" (64).

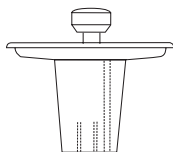
Supplies from Above: Supplies must be located on centers of dimensions shown to pass through washfountain shroud and sprayhead.

Drain through floor: Stub up 3" (76).

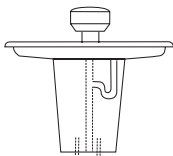
## Key

- 1/2" Supply: Nominal Copper Tube
- ⊕ 1-1/2" NPT Drain Stub up 3" (76) from Floor
- ⊙ Conduit Location (Recommended)

### Supplies from Below or Through Wall

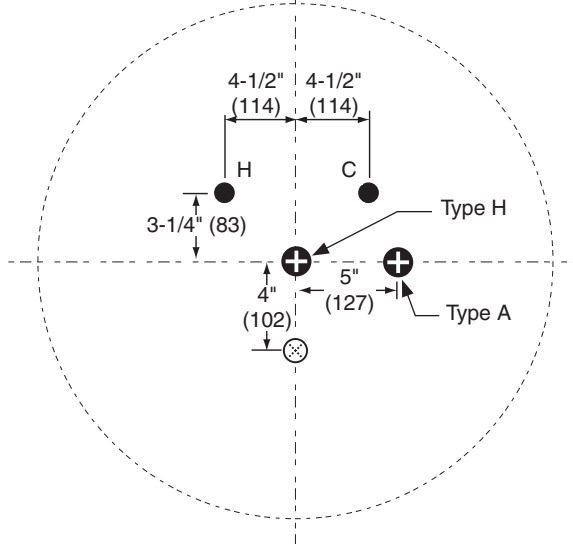


**Type A**  
Off-line vent (P-Trap supplied by Installer.)

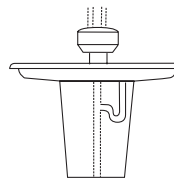


**Type H**  
Centrally rising vent (P-Trap furnished with unit.) Use for units with paper towel Dispensers and/or shrouds.

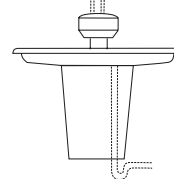
#### Top View



### Supplies from Above

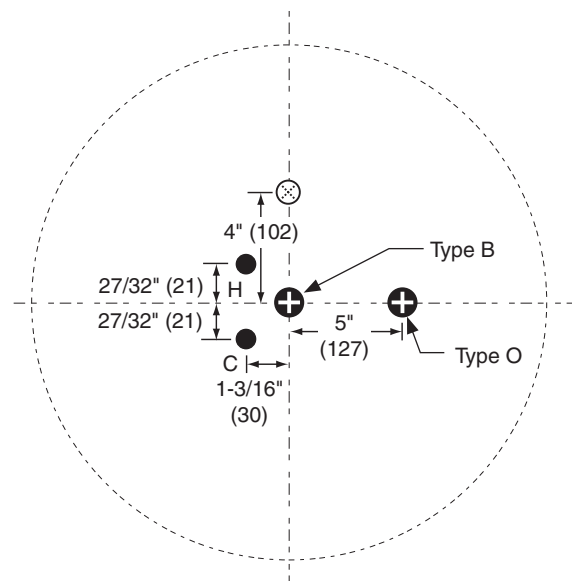


**Type B**  
Centrally rising vent (P-Trap furnished with unit.) Use for units with paper towel Dispensers and/or shrouds.



**Type O**  
Off-line vent (P-Trap supplied by Installer.)

#### Top View



Remote mounting of transformers with 24VAC electrical supply to washfountain is recommended.



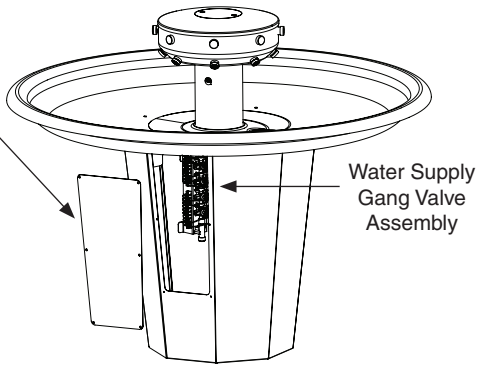
UPC and IPC restrict the vertical distance from the fixture outlet to the trap weir to not more than 24" (610). Check state and local codes for variances.

# 1 Install and Anchor Unit

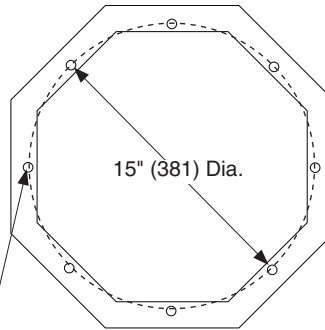


Rough-in of plumbing lines must be completed before unit can be properly installed.

**A** Remove Access panel and with the help of another person, place unit in position.



**B** Ensure unit is level, shimming floor unit if necessary. Using the base as a template, mark the floor anchor locations.

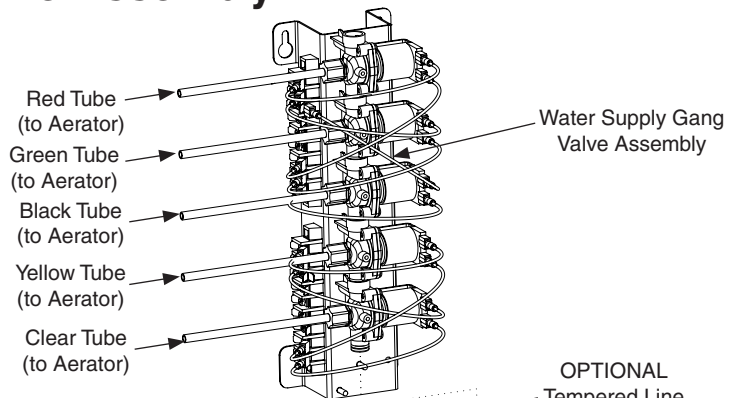


**C** Install a minimum of four 3/8" bolts (supplied by installer) around unit at the marked locations (eight is recommended). Secure unit to floor.

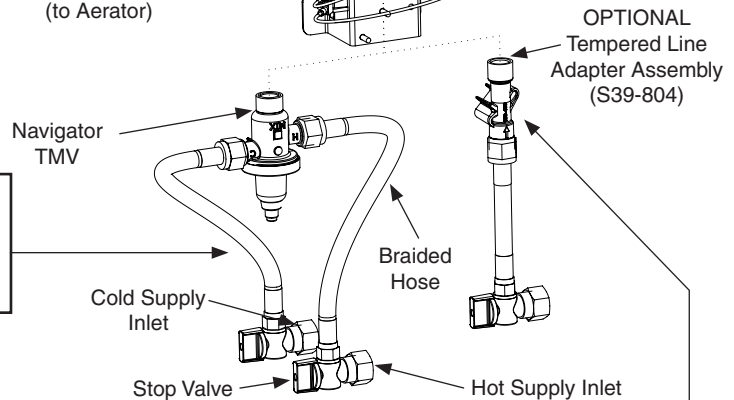


# 2 Connect Water Supply to Valve Assembly

**WARNING! Do not turn on water until Step 3 is completed!**



**A** Connect stops to hot and cold water supply. Connect one end of each supply hose to a stop and the other end to the hot and cold inlets of the Navigator® TMV.

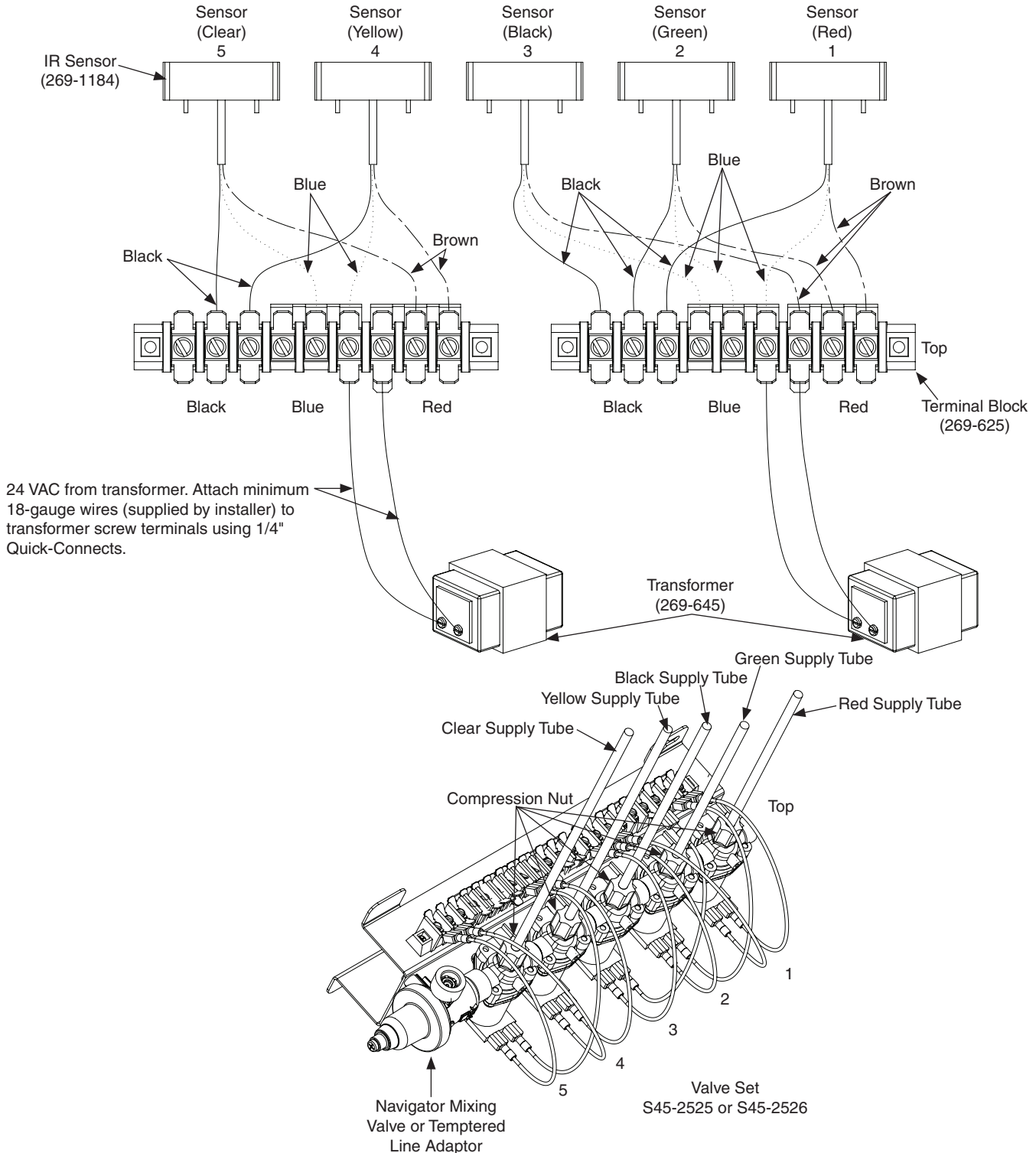


**B** OPTIONAL TEMPERED LINE CONNECTION: Connect stop to supply. Connect one end of the supply hose to the stop and the other end to the tempered line adapter in the gang valve assembly.

### 3 Make Electrical Connections

**WARNING! Your Sentry Washfountain MUST be connected to 24 VAC transformer provided. Connection to 110 VAC will result in damage to the electronics and could result in personal injury. Refer to Instruction Sheet 215-1503 for more information.**

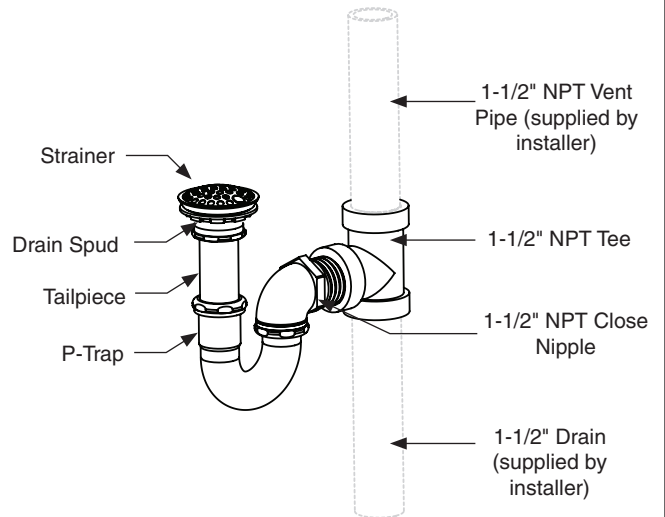
**STOP!!!** If installing optional Shroud/Slip Ring or Towel Dispensers, complete those installations before proceeding to Step 4 (see next page).



## 4 Connect Drain

**Off-Line Vent (Type A or O):** Connect 1-1/2" P-Trap and drain piping (supplied by installer) to the drain spud.

**Centrally Rising Vent (Type B or H) or models with optional paper towel dispensers:** Connect the vented P-Trap (provided) and drain piping as shown:



## 5 Turn on Water and Electricity, Test and Adjust Unit

**A** Turn on power to transformer. The solenoids will buzz when a sensor is activated. If no buzz, check wiring.

**B** Turn on water supply and check for leaks. Activate each IR Sensor to purge air from the lines.



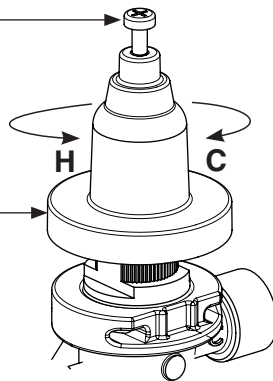
Check to make sure stop valves are open before turning on water.



This valve is NOT factory preset. Upon installation, the temperature of this valve must be checked and adjusted to ensure delivery of a safe water temperature. Water in excess of 110°F (43°C) may cause scalding.

**C** Loosen the cap screw about 1/4" (4-6 turns) and lift up the cover (do not remove).

**D** Using the cover, turn the cartridge gently until desired water temperature is reached. Do not turn past stops as this may damage the unit. Push the cover down and tighten the screw.



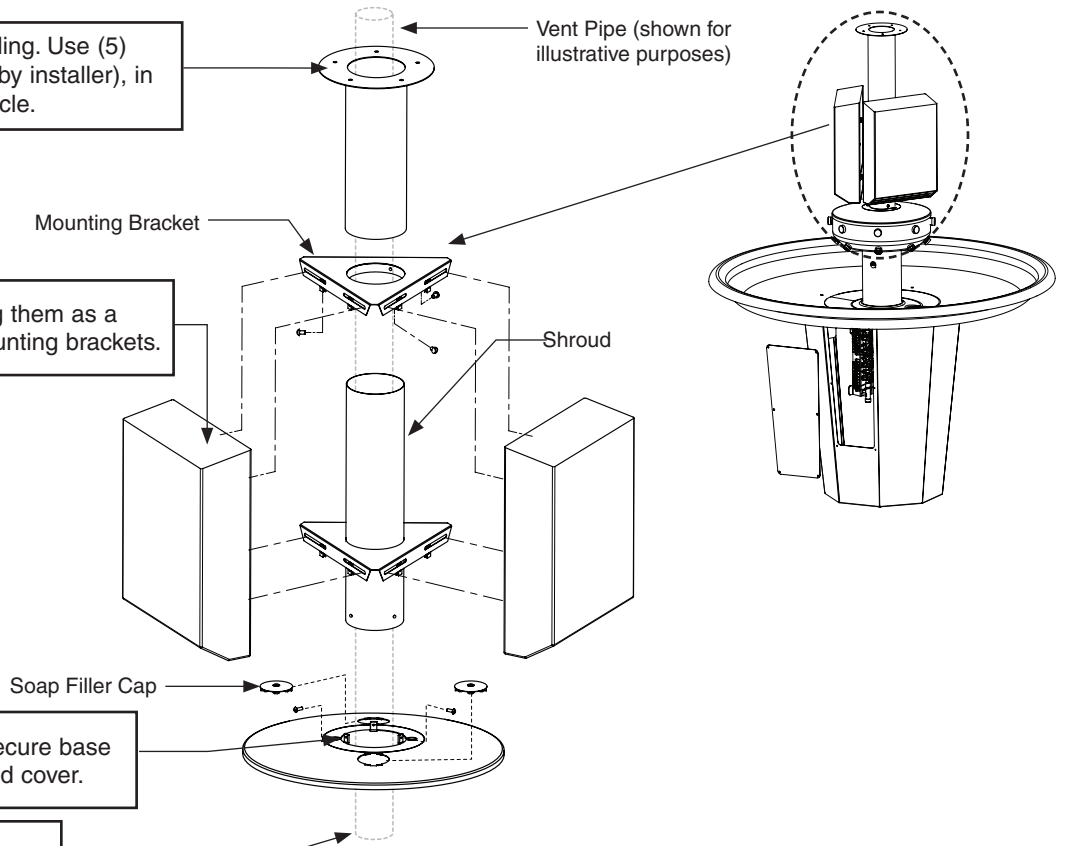
## Optional Towel Dispensers and 4-Inch Shroud

**A** Attach Slip Ring to ceiling. Use (5) 1/4" screws (provided by installer), in a 6" (152) diameter circle.

**B** Attach Dispensers, using them as a guide for positioning mounting brackets.

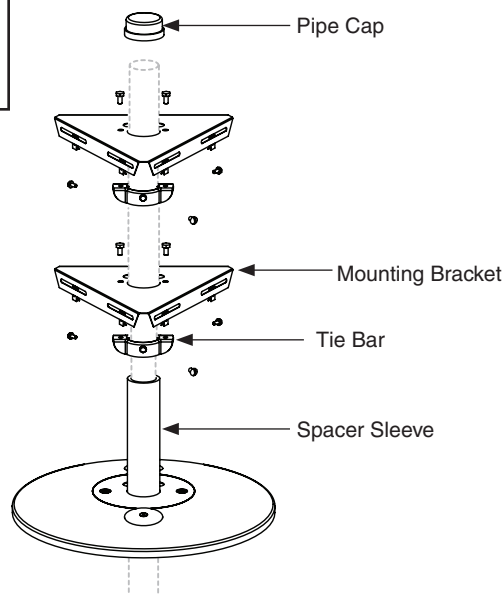
**C** Using supplied screws, secure base of shroud to the sprayhead cover.

**D** Connect base of vent pipe to drain as described in Step 3.



## Optional Dispenser Mounting Brackets for 1-1/2" Pipe

**A** Mount Brackets for a 1-1/2" pipe in a similar manner to above. Secure brackets in position using tie-bar supports as shown.





## Cleaning and maintenance instructions for stainless steel

**Material Description:** Stainless steel is extremely durable, and maintenance is simple and inexpensive. Proper care, particularly under corrosive conditions, is essential. Always start with the simplest solution and work your way toward the more complicated.

**Routine cleaning:** Daily or as often as needed use a solution of warm water and soap, detergent, or ammonia. Apply the cleaning solution per the manufacturer's instructions and always use a soft cloth or sponge to avoid damaging the finish.

**Stubborn Stains:** To remove stains from stainless steel use a stainless steel cleaner and polish such as Ball® stainless steel cleaner or a soft abrasive. Always follow the manufacturer's instructions and apply in the same direction as the polish lines.

**CAUTION! Never use ordinary steel wool or steel brushes on stainless steel. Always use stainless steel wool or stainless steel brushes.**

### Special Situations for Material

**Fingerprints and Smears:** To remove fingerprints or smears use a high quality stainless steel cleaner and polish in accordance with the manufacturer's instructions. Many of these products leave a protective coating that helps prevent future smears and fingerprints.

**Grease and Oil :** To remove grease and oil use a quality commercial detergent or caustic cleaner. Apply in accordance to the manufacturer's instructions and in the direction of the polish lines.

**Precautions:** Avoid prolonged contact with chlorides (bleaches, salts), bromides (sanitizing agents), thiocyanates (pesticides, photography chemicals, and some foods), and iodides on stainless steel equipment, especially if acid conditions exist.

**CAUTION! Do not permit salty solutions to evaporate and dry on stainless steel.**

The appearance of rust streaks on stainless steel leads to the belief that the stainless steel is rusting. Look for the actual source of the rust in some iron or steel particles which may be touching, but not actually a part of the stainless steel structure.

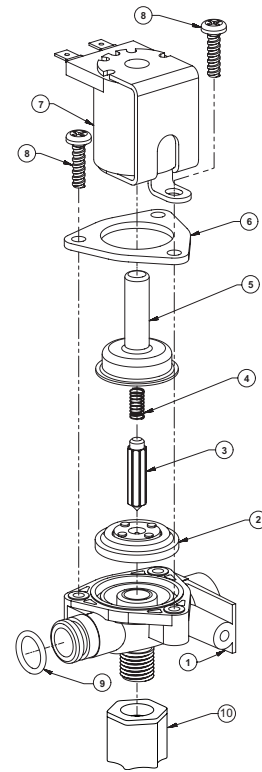
*NOTE: Strongly acidic or caustic cleaners may attack the steel, causing a reddish film to appear. The use of these cleaners should be avoided.*

**Brand Names:** Use of brand names is intended only to indicate a type of cleaner. This does not constitute an endorsement, nor does the omission of any brand name cleaner imply its inadequacy. Many products named are regional in distribution, and can be found in local supermarkets, department and hardware stores, or through your cleaning service. It is emphasized that all products should be used in strict accordance with package instructions.

# Troubleshooting – Solenoid Valve



Turn off water supplies to the unit before troubleshooting.



Item	Qty.	Part No.	Description	Repair Kits		
				S65-113	S07-067 (Closed Body)	S07-067A (Thru Body)
1	1	118-307	Valve Body, 1/4" Closed	-	X	-
1	1	118-307A	Valve Body, 1/4" Thru	-	-	X
2	1	269-983	Diaphragm	X	X	X
3	1	269-577	Armature	X	X	X
4	1	269-578	Spring	X	X	X
5	1	269-1729	Armature Housing	-	X	X
6	1	269-1730	Clamp, Armature Housing	-	X	X
7	1	269-579	Coil, Solenoid Valve	-	X	X
8	3	160-447	Screw, #8 x 5/8	-	X	X
9	1	125-165	O-Ring, #2-013	-	X	X
10	1	110-231	Compression Nut 1/4" Tube	-	-	-

Problem	Cause	Solution
An individual operating station fails to shut off and drips.	Debris is trapped between the diaphragm and the valve seat.	<p>Remove debris between diaphragm and the valve seat.</p> <ol style="list-style-type: none"> <li>1. Remove the three #8 Phillips-head screws that hold the solenoid valve assembly together. Be careful not to lose the armature or spring.</li> <li>2. Remove the diaphragm. Remove any particles that have been trapped between the diaphragm and the valve seat. Rinse off the diaphragm and inspect for damage. Make sure the center orifice and both small side orifices are open.</li> <li>3. Reassemble in reverse order (do not overtighten the Phillips-head screws or the plastic valve body may crack). Tighten until the armature plate makes contact with the plastic body.</li> <li>4. Reconnect the wiring.</li> </ol>
An individual operating station fails to turn on.	A failed coil for the valve or loose electrical connection to the terminal.	<p>Test the station to determine the cause.</p> <ol style="list-style-type: none"> <li>1. Disconnect the wires from the coil of an adjacent valve. Disconnect the wires from the problem valve and reconnect to the adjacent valve.</li> <li>2. Turn on electrical and water supplies to the unit. Pass your hand in front of the sensor of the problem station, and the adjacent station should turn on.</li> </ol> <p>If the adjacent station turns on and cycles normally, replace the coil on the problem valve.</p> <p>If the adjacent valve fails to turn on, inspect the wires from the sensor cable and do the following:</p> <ul style="list-style-type: none"> <li>• make sure there are no breaks and that the fully insulated disconnect terminals are firmly crimped in place;</li> <li>• turn off the electrical and water supplies;</li> <li>• reconnect to the adjacent valve and turn on the water supplies to the unit;</li> <li>• pass your hand in front of the sensor. If the station still fails to turn on, replace the sensor.</li> </ul>

# Thermostatic Mixing Valve Troubleshooting

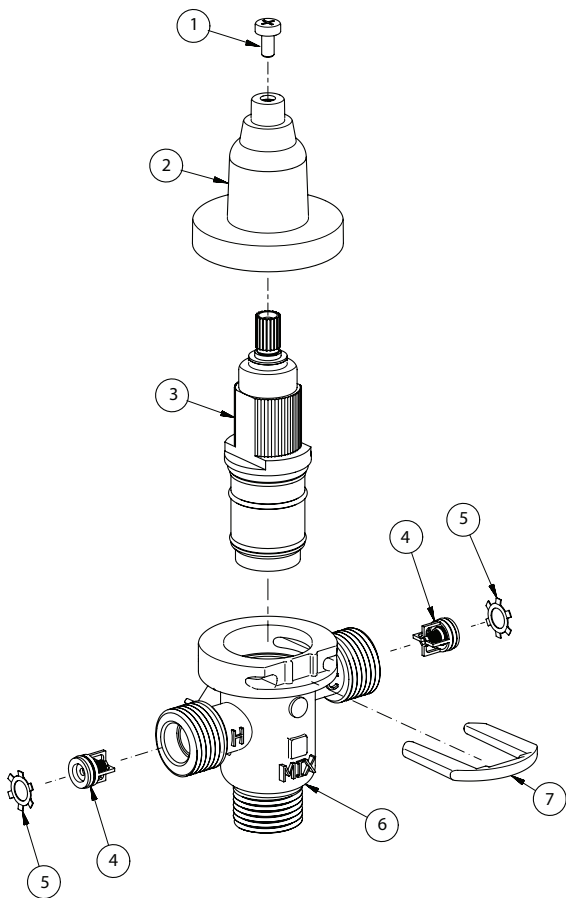
Before attempting to troubleshoot the valve or disassemble the components, check for the following conditions:

- If stop valves are used, make sure that they are fully open.
- Make sure that the hot and cold inlet pipes are connected properly, and that there are no cross-connections or leaking stop valves.
- Check the hot water heater output to make sure that it is at least 10° F above the set temperature.



Be sure to close the appropriate shut-off valves prior to disassembly of the valve and reopen the valves after inspection and repair is complete.

Problem	Cause	Solution
External leaks.	Damaged cartridge or O-rings.	Replace cartridge with part number 269-1927
Improper water temperature or temperature fluctuation.	Hot water supply is not 10° above desired set point.	Increase hot water supply temperature
	Valve temperature is not properly set.	Adjust the temperature as shown on page 6, step 5.
Limited water flow.	Dirt and debris have built up in the valve or strainer.	<ol style="list-style-type: none"> <li>1. Check to make sure both hot and cold supplies are connected to the Navigator mixing valve and that they have water flow.</li> <li>2. Remove cover and U-clip. Remove the cartridge and clean the strainer. It is not required to grease cartridge, however if desired, use silicone grease only. Do not use grease on check valves.</li> </ol>



## Parts List

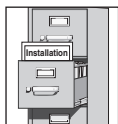
Item	Part No.	Description	Quantity
			S59-4000
1	160-463	Cap Screw	1
2	107-582	Cover	1
3	269-1927	Thermostatic Cartridge	1
4	198-014	Check Valve*	2
5	132-051	Retaining Ring*	2
6	118-319	Valve Body	1
7	146-079	U-Clip	1

\* Included with Prepack S65-326

**Tempered Line Adapter Option**  
**Part no. S39-804**  
 (replaces S59-4000 if tempered line is used)

Strainer (173-028)

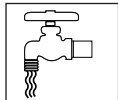
## IMPORTANT !



Lire ce manuel d'installation dans son intégralité pour garantir une installation appropriée. Une fois celle-ci terminée, classer ce manuel auprès du service à la clientèle ou d'entretien. L'installateur est responsable de respecter la conformité aux codes et ordonnances locaux.



Séparer les pièces de l'emballage et veiller à bien avoir toutes les pièces avant de jeter le matériau d'emballage. Le cas échéant, ne pas commencer l'installation avant d'avoir obtenu les pièces manquantes.



Veiller à bien vidanger et fermer toutes les conduites d'eau avant de commencer l'installation. Tout débris dans les conduites d'alimentation risque de provoquer un mauvais fonctionnement des soupapes.



Les garanties du produit se trouvent sous la rubrique « Products » (Produits) sur notre site Web à [bradleycorp.com](http://bradleycorp.com)

### Fournitures requises pour l'installation :

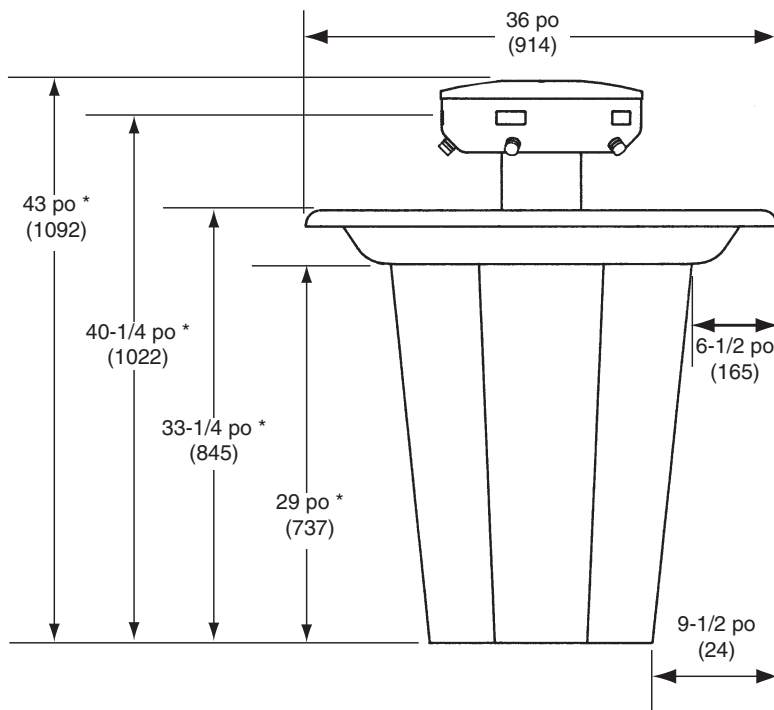
- Boulons de 3/8 po de diamètre et dispositifs d'ancrage muraux/de sol pour ancrer le socle du lavabo fontaine au mur et au sol
- Tube de cuivre de 1/2" nominal pour la tuyauterie d'alimentation d'eau chaude/froide ou tempérée
- Siphon en P standard (siphon fourni avec type de drain « B » ou « H » et certains équipements optionnels)
- Conduites de drain de 1-1/2 po et raccords
- Produit d'étanchéité pour tuyaux

### Fournitures requises pour l'installation :

- Tuyau d'aération ou canalisation de liaison de 1-1/2 po sur colonne de lavabo fontaine de type à aération
- Mastic (peut s'appliquer entre le dossier et le lavabo pour éviter toute accumulation de débris)
- Coupe-circuit électrique sur l'unité. Cette fonction empêche toute distribution d'eau accidentelle durant l'entretien ou les réparations standard.

# Dimensions - Lavabo fontaine de 36 po (914) Sentry™

(mm)



**\* Retrancher 102 mm (4") de cette dimension pour le modèle de hauteur enfant.**

## Dimensions de mise en place pour conduites d'alimentation et de drain

### Notes

Le débit maximum requis vers le lavabo fontaine est de 1,5 GPM (5,7 LPM). Dimensionner les conduites d'alimentation en conséquence.

Alimentations du dessous : tubulure de 2-1/2 po (64).

Alimentations du dessus : Les alimentations doivent être situées sur les centres des dimensions indiquées pour passer à travers l'enveloppe et le bec diffuseur du lavabo fontaine.

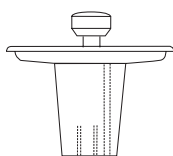
Drain dans le sol : tubulure de 3 po (76).

### Légende

(mm)

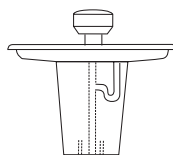
- Alimentation de 1/2 po : Tube de cuivre nominal
- ⊕ Drain de 1-1/2 po NPT, tubulure de raccordement de 3 po (76) à partir du sol
- ⊙ Emplacement des conduits (recommandé)

#### Alimentations du dessous ou à travers le mur



#### Type A

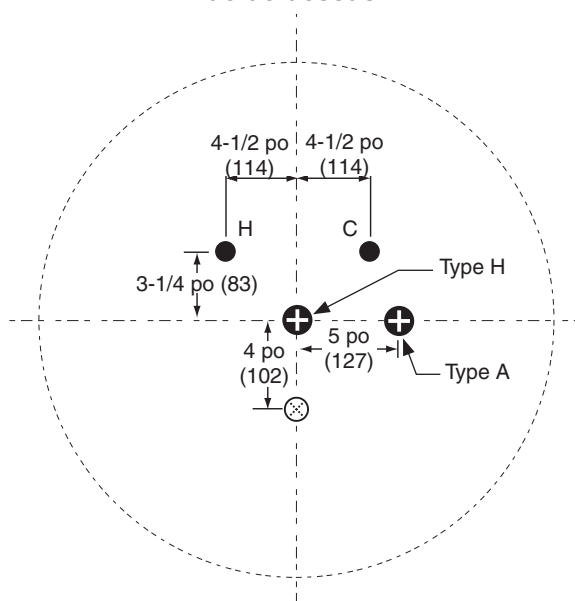
Aération hors canalisation (siphon en P fourni par l'installateur)



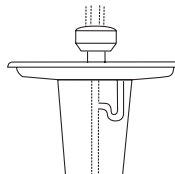
#### Type H

Aération montante centralement (siphon en P fourni avec l'unité)  
À utiliser avec les unités munies de distributeurs d'essuie-mains et/ou d'enveloppes.

#### Vue de dessus

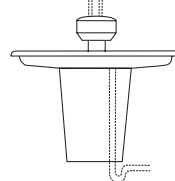


#### Alimentations du dessus



#### Type B

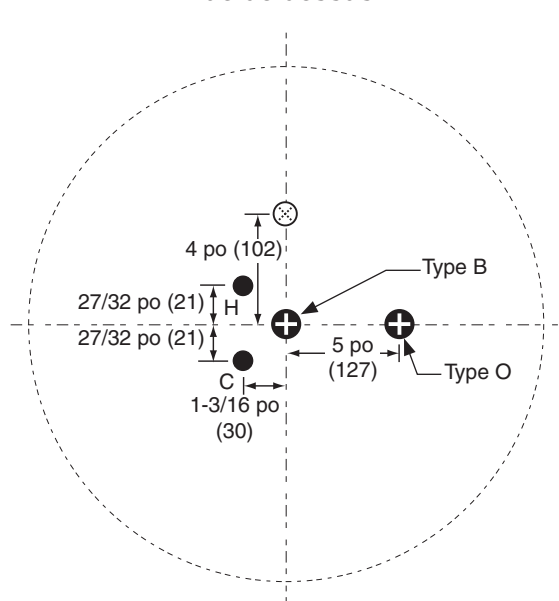
Aération montante centralement (siphon en P fourni avec l'unité)  
À utiliser avec les unités munies de distributeurs d'essuie-mains et/ou d'enveloppes.



#### Type O

Aération hors canalisation de type O (siphon en P fourni par l'installateur)

#### Vue de dessus



Un montage à distance des transformateurs avec une alimentation électrique de 24 V c.a. au lavabo fontaine est recommandé.

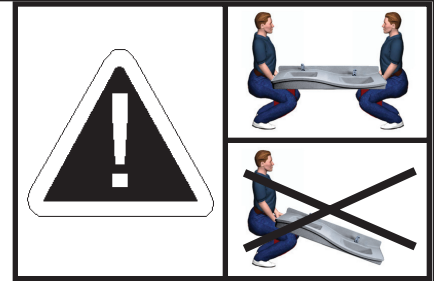


CUP et IPC limitent la distance verticale de la sortie de l'appareil au sommet de la garde d'eau à un maximum de 24 po (610). Consulter les codes d'État et locaux pour variantes.

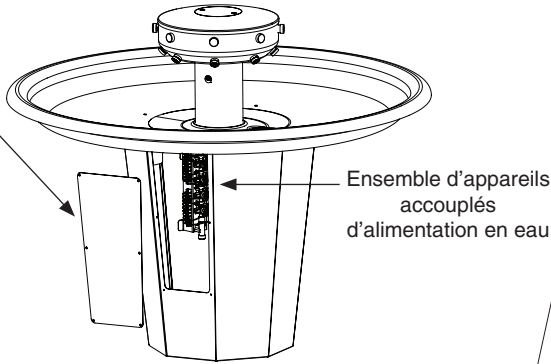
# 1 Installer et ancrer l'unité



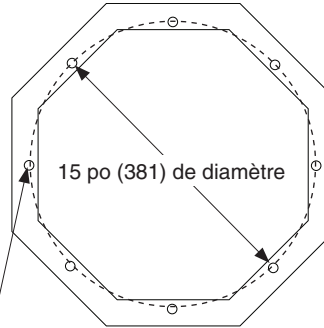
La mise en place des conduites de plomberie doit être terminée avant de pouvoir correctement installer l'unité.



**A** Retirer le panneau d'accès et, avec l'aide d'une autre personne, mettre l'unité en place.



Ensemble d'appareils accouplés d'alimentation en eau



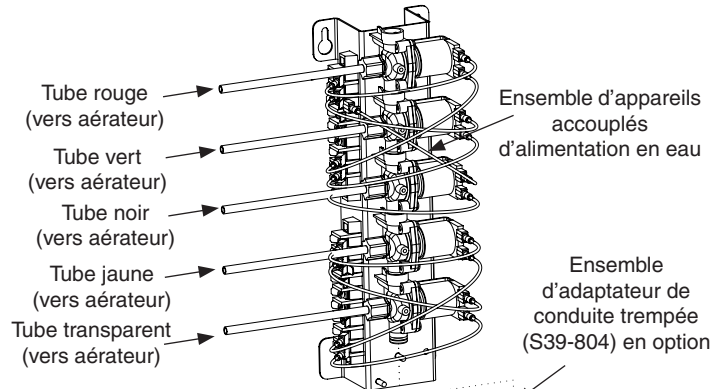
15 po (381) de diamètre

**B** Vérifier que l'unité est de niveau, en calant l'unité au sol le cas échéant. En utilisant la base comme gabarit, marquer les emplacements des ancrages au sol.

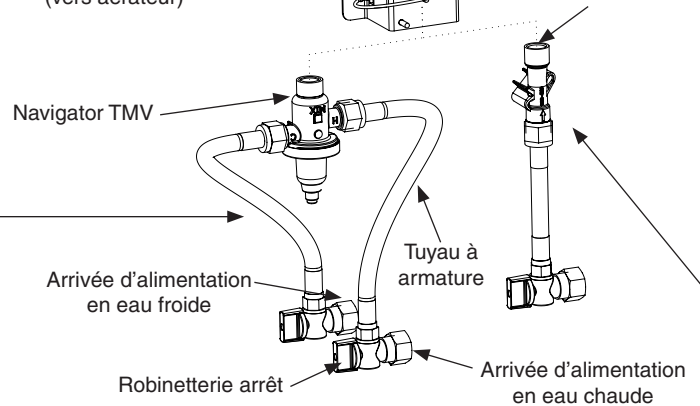
**C** Installer un minimum de quatre boulons 3/8 po (fournis par l'installateur) autour de l'unité aux emplacements marqués (il est recommandé d'en installer huit). Fixer l'unité au sol.

# 2 Connecter l'alimentation en eau au robinet

**AVERTISSEMENT ! Ne pas mettre l'eau en marche avant d'avoir terminé l'étape 3 !**



**A** Raccorder les robinets d'arrêt aux arrivées d'eau chaude et froide. Raccorder un côté de chaque tuyau d'alimentation à un robinet d'arrêt et l'autre aux entrées chaude et froide du TMV Navigator.



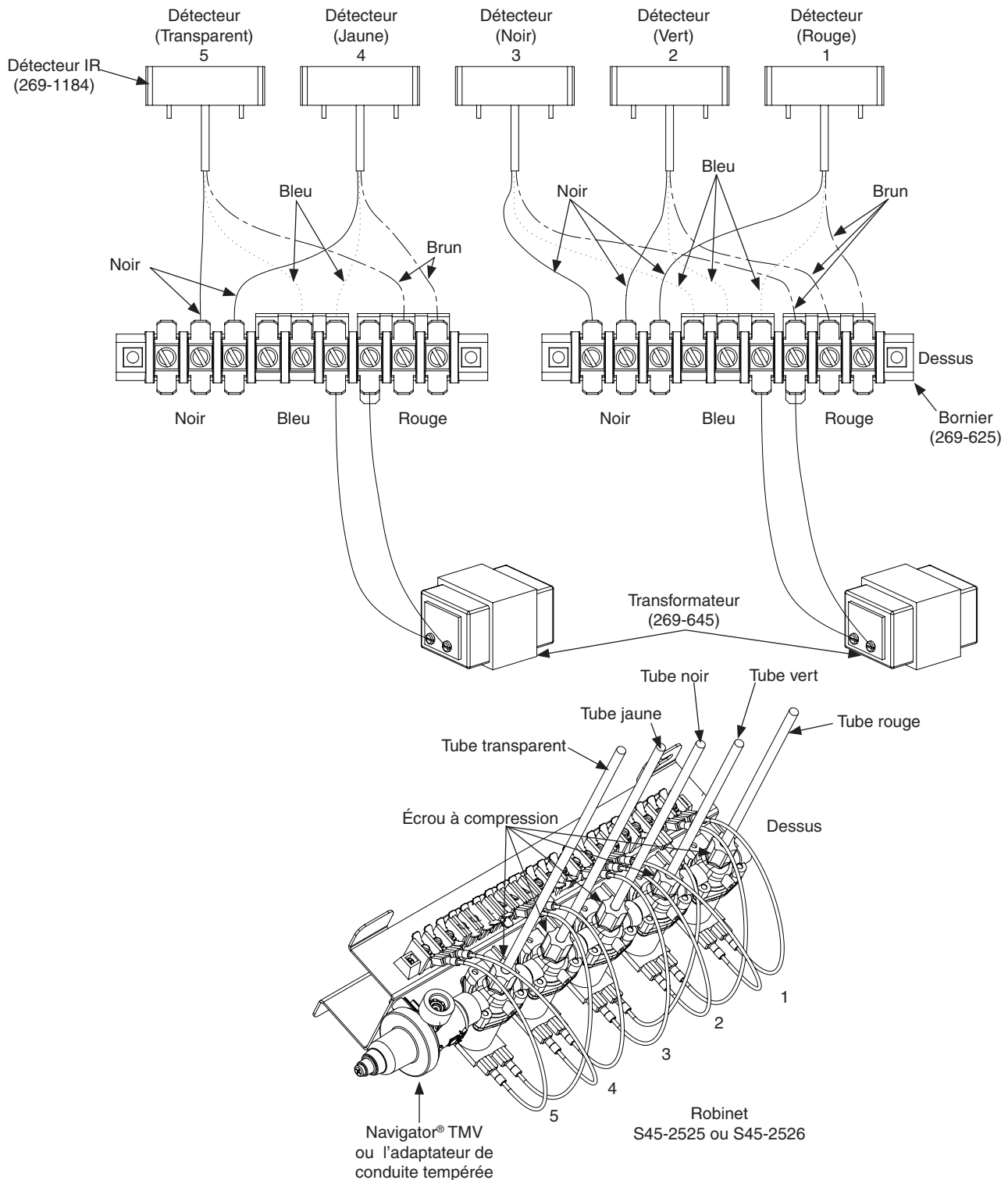
**B** RACCORDEMENT À UNE CONDUITE TEMPÉRÉE EN OPTION : Raccorder un robinet d'arrêt à l'arrivée d'eau. Raccorder un côté du tuyau d'alimentation à un robinet d'arrêt et l'autre à l'adaptateur de conduite tempérée dans la vanne de distribution.

### 3 Effectuer les connexions électriques

**AVERTISSEMENT !** Le lavabo fontaine Sentry DOIT être connecté au transformateur 24 V c.a. fourni. Un connexion à du 110 V c.a. endommagera les composants électroniques et pourrait provoquer des blessures corporelles. Se reporter à la Fiche d'instruction 215-1503 pour de plus amples informations.



**STOP !!!** En cas d'installation de l'enveloppe/la bague collectrice ou distributeurs d'essuie-mains en option, compléter ces installations avant de passer à l'étape 4 (voir la page suivante).

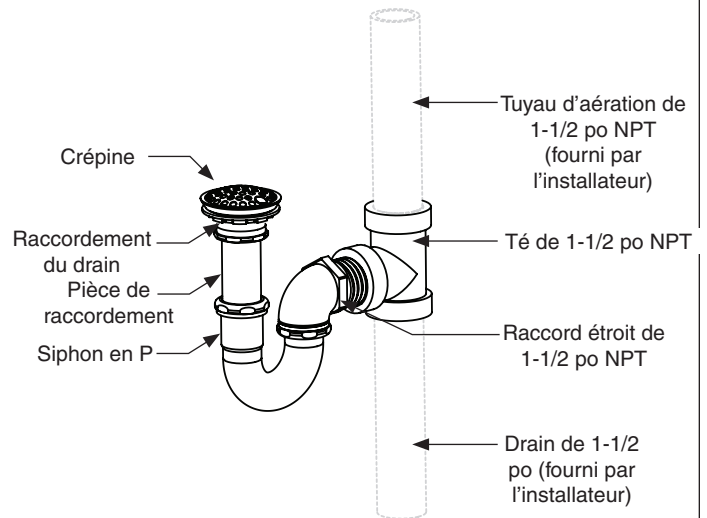




## 4 Connecter le drain

**Aération hors canalisation (Type A ou O) :** Connecter la tubulure de siphon en P et de drain de 1-1/2 po (fournie par l'installateur) à l'ergot de drain.

**Aération montante centralement (Type B ou H) ou modèles munis de distributeurs d'essuie-mains optionnels :** Connecter le siphon en P à aération (fourni) et la tubulure de drain comme indiqué :



## 5 Mettre en marche l'eau et l'électricité ; tester et ajuster l'unité

**A** Mettre le transformateur sous tension. Les solénoïdes retentiront lorsqu'un détecteur est activé. En l'absence de sonnerie, vérifier le câblage.

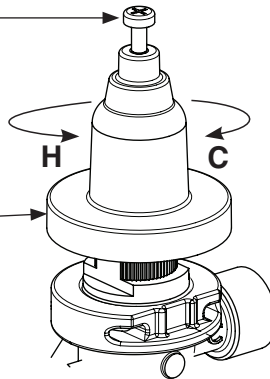
**B** Ouvrir l'alimentation en eau et vérifier la présence éventuelle de fuites. Activer chaque détecteur IR pour purger l'air des conduites.

Vérifier que la robinetterie arrêt est ouverte avant d'ouvrir l'eau.

Cette vanne n'est PAS pré réglée à l'usine. Lors de l'installation, la température de cette vanne doit être contrôlée et ajustée pour s'assurer que l'eau est fournie à une température sans danger. Une eau à plus de 43 °C (110 °F) peut ébouillanter.

**C** Desserrer la vis à tête de 1/4" (6mm) environ (4 à 6 tours) et soulever le capuchon (ne pas l'enlever).

**D** À l'aide du capuchon, tourner lentement la cartouche jusqu'à obtenir la température d'eau souhaitée. Pour ne pas endommager l'appareil, ne pas tourner au-delà des butées. Renfoncer le capuchon et serrer la vis.



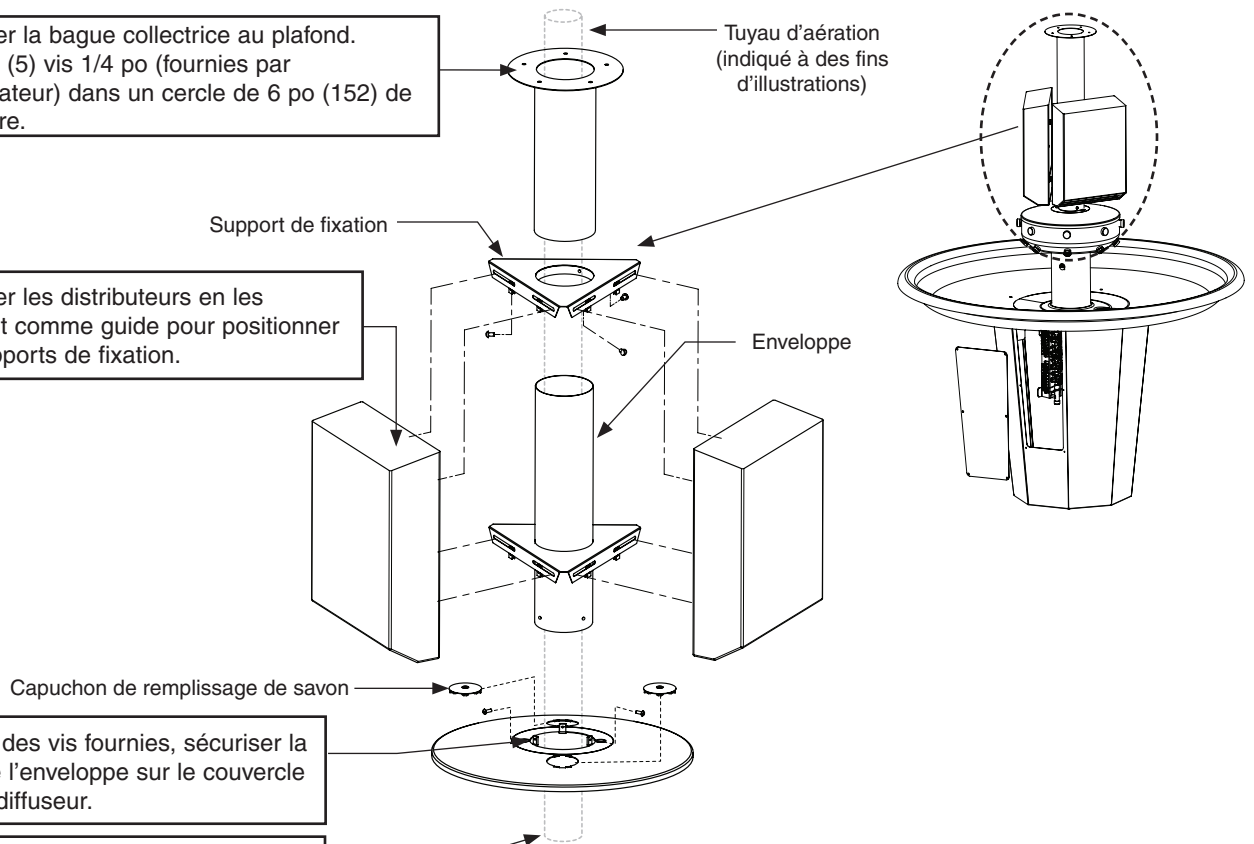
## Distributeurs d'essuie-mains et enveloppe de 4" en option

**A** Attacher la bague collectrice au plafond.  
Utiliser (5) vis 1/4 po (fournies par l'installateur) dans un cercle de 6 po (152) de diamètre.

**B** Attacher les distributeurs en les utilisant comme guide pour positionner les supports de fixation.

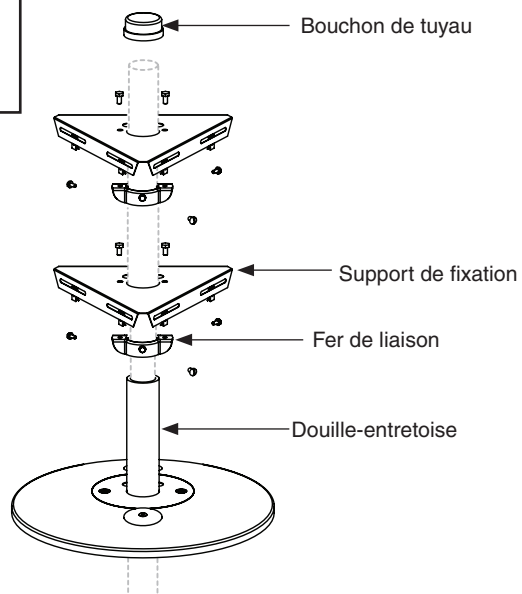
**C** À l'aide des vis fournies, sécuriser la base de l'enveloppe sur le couvercle du bec diffuseur.

**D** Connecter la base du tuyau d'aération tel que décrit à l'étape 3.



## Supports de fixation de distributeurs en option pour conduite de 1-1/2 po

**A** Fixer les supports pour un tuyau de 1-1/2 po comme ci-dessus. Sécuriser les supports en position à l'aide des supports de fer de liaison comme il l'est indiqué.



## Nettoyage de l'acier inoxydable

**Description du matériau :** L'acier inoxydable est extrêmement durable, et son entretien est simple et peu onéreux. Il est essentiel de l'entretenir correctement, particulièrement dans des conditions corrosives. Toujours commencer par la solution la plus simple et continuer par une solution plus compliquée.

**Nettoyage de routine :** Une fois par jour, ou aussi souvent qu'il le faut, utiliser une solution d'eau chaude avec du savon, du détergent ou de l'ammoniac. Appliquer la solution de nettoyage conformément aux instructions du fabricant ; toujours utiliser un chiffon doux ou une éponge afin de ne pas endommager le fini.

**Taches incrustées :** Pour éliminer des taches de l'acier inoxydable, utiliser un produit nettoyant pour acier inoxydable ou un produit à polir tel que le nettoyant pour acier inoxydable Ball® ou un abrasif doux. Toujours suivre les instructions du fabricant et appliquer dans le même sens que les lignes du vernis.

**ATTENTION! Ne jamais utiliser de paille de fer ou de brosse de métal ordinaire sur de l'acier inoxydable. Toujours utiliser de la paille d'acier inoxydable ou des brosses pour acier inoxydable.**

### Situations spéciales de matériau

**Empreintes et taches :** Pour éliminer les empreintes ou taches, utiliser un nettoyant pour acier inoxydable de haute qualité et polir conformément aux instructions du fabricant. De nombreux produits de ce genre laissent un film protecteur empêchant toute tache ou empreinte future.

**Graisse et huile :** Pour éliminer la graisse ou l'huile, utiliser un détergent ou un nettoyant caustique commercial de qualité. Appliquer conformément aux instructions du fabricant et dans le sens des lignes du vernis.

**Précautions :** Éviter tout contact prolongé avec : chlorures (agents de blanchiment, sels), bromures (agents d'assainissement), thiocyanates (pesticides, produits chimiques pour photographie et certains aliments) et iodures sur l'équipement en acier inoxydable, notamment en présence de conditions acides.

**ATTENTION! Ne pas laisser les solutions salées s'évaporer et sécher sur de l'acier inoxydable.**

L'aspect de traînées de rouille sur l'acier inoxydable donne à croire que l'acier inoxydable rouille. Rechercher la source réelle de la rouille dans ces particules de fer ou d'acier susceptibles d'être en contact avec la structure en acier inoxydable mais sans en faire réellement partie.

*AVIS: Des produits nettoyants fortement acides ou caustiques peuvent attaquer l'acier entraînant l'apparition d'un film rougeâtre. Éviter d'utiliser ces nettoyants.*

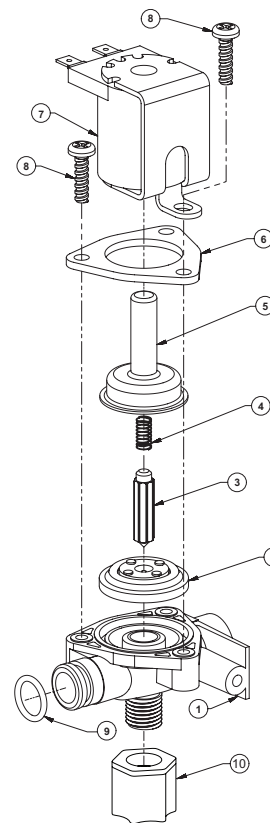
**Marques commerciales :** L'utilisation de marques commerciales n'est destinée qu'à indiquer un type de nettoyant. Ceci ne constitue aucunement un témoignage publicitaire de même que toute omission d'un nettoyant d'une marque commerciale quelconque n'implique son inefficacité. De nombreux produits sont distribués par région et peuvent se trouver dans les supermarchés locaux, grands magasins et quincailleries, ou par le biais d'un service de nettoyage. Il est à souligner que tous les produits doivent être utilisés en stricte conformité avec les instructions figurant sur l'emballage.

## Guide de dépannage – Robinet électromagnétique



Couper l'alimentation en eau à l'unité avant d'effectuer toute réparation.

Repère	Qté	Référence	Désignation	Kits de réparation		
				S65-113	S07-067 (Corps fermé)	S07-067A (Corps de part en part)
1	1	118-307	Corps de robinet, 1/4 po fermé	-	X	-
1	1	118-307A	Corps de robinet, 1/4 po part en part	-	-	X
2	1	269-983	Membrane	X	X	X
3	1	269-577	Armature	X	X	X
4	1	269-578	Ressort	X	X	X
5	1	269-1729	Boîtier armature	-	X	X
6	1	269-1730	Bride, boîtier armature	-	X	X
7	1	269-579	Bobine, robinet électromagnétique	-	X	X
8	3	160-447	Vis, N° 8 X 5/8	-	X	X
9	1	125-165	Joint torique, N° 2-013	-	X	X
10	1	110-231	Écrou à compression, tube 1/4 po	-	-	-



Problème	Cause	Solution
Une station opérationnelle individuelle ne se ferme pas et goutte.	Il y a des débris piégés entre la membrane et le siège du bouton-poussoir.	Retirer les débris entre la membrane et le siège du bouton-poussoir. <ol style="list-style-type: none"> <li>1. Retirer les trois vis cruciformes n° 8 qui maintiennent l'assemblage de bouton-poussoir électromagnétique ensemble. Faire attention de ne pas perdre l'armature ou le ressort.</li> <li>2. Retirer la membrane. Retirer toute particule qui aura pu être piégée entre la membrane et le siège du bouton-poussoir. Rincer la membrane et inspecter tout dommage éventuel. S'assurer que l'orifice central et que les deux petits orifices latéraux sont ouverts.</li> <li>3. Remonter dans l'ordre inverse (ne pas trop serrer les vis à tête cruciforme et ce, afin de ne pas fissurer le corps de soupape en plastique). Serrer jusqu'à ce que la plaque d'armature soit en contact avec le corps en plastique.</li> <li>4. Reconnecter le câblage.</li> </ol>
Une station opérationnelle individuelle ne se met pas en marche.	Une bobine défectueuse pour le bouton-poussoir ou une connexion électrique desserrée à la borne.	Tester la station pour déterminer la cause. <ol style="list-style-type: none"> <li>1. Déconnecter les fils de la bobine d'un bouton-poussoir adjacent. Déconnecter les fils du bouton-poussoir problématique et reconnecter au bouton-poussoir adjacent.</li> <li>2. Mettre en marche les alimentations en électricité et en eau à l'unité. Passer la main devant le détecteur de la station problématique et la station adjacente devrait se mettre en marche.</li> </ol> <p>Si la station adjacente se met en marche et cycle normalement, remplacer la bobine sur le bouton-poussoir problématique.</p> <p>Si le bouton-poussoir adjacent ne se met pas en marche, inspecter les fils venant du câble de détecteur et procéder comme suit :</p> <ul style="list-style-type: none"> <li>• s'assurer qu'il n'y a pas de cassures et que les bornes de déconnexion complètement isolées sont fermement serties en place ;</li> <li>• couper les alimentations en électricité et en eau ;</li> <li>• reconnecter au bouton-poussoir adjacent et ouvrir l'alimentation en eau à l'unité ;</li> <li>• passer la main devant le détecteur. Si la station ne se met toujours pas en marche, remplacer le détecteur.</li> </ul>

## Dépannage du robinet mitigeur thermostatique

Avant d'essayer de dépanner le robinet mitigeur ou de le démonter, vérifier ce qui suit :

- Si des robinets d'arrêt sont utilisés, s'assurer qu'ils sont complètement ouverts.
- Vérifier que les tuyaux d'arrivée d'eau chaude et froide sont correctement raccordés, qu'ils ne sont pas croisés et que les robinets d'arrêt ne fuient pas.
- Vérifier que la sortie du chauffe-eau est à au moins 5,5 °C (10 °F) au-dessus de la température de réglage.



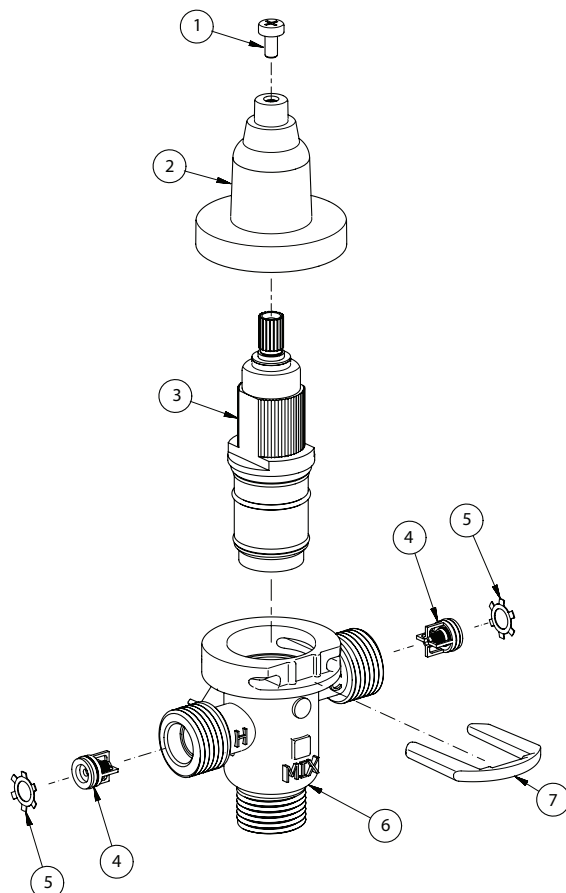
Veiller à fermer les robinets d'arrêt appropriés avant de démonter le mitigeur et à rouvrir les robinets une fois que le contrôle et les réparations sont terminés.

Problème	Cause	Solution
Fuites externes.	Cartouche ou joints toriques endommagés.	Remplacer la cartouche par la pièce réf. 269-1927.
Température de l'eau inadaptée ou fluctuations de température.	L'arrivée d'eau chaude n'est pas à 5,5 °C (10 °F) au-dessus du réglage souhaité.	Augmenter la température de l'arrivée d'eau chaude.
	Température du mitigeur mal réglée.	Régler la température comme indiqué à la page 15, étape 5.
Débit d'eau limité.	De la saleté et des débris se sont accumulés dans le mitigeur ou le filtre à tamis.	<ol style="list-style-type: none"> <li>1. Vérifier que les arrivées d'eau chaude et froide sont toutes deux raccordées au mitigeur et que de l'eau y circule.</li> <li>2. Retirer le couvercle et clip en U. Retirer la cartouche et nettoyer le filtre à tamis. Il n'est pas requis de graisser la cartouche toutefois, si cela est souhaité, utiliser exclusivement de la graisse de silicone. Ne pas utiliser de graisse sur les clapets anti-retour.</li> </ol>

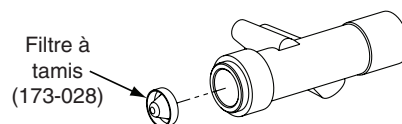
### Nomenclature

Repère	Réf. pièce	Description	Quantité
			S59-4000
1	160-463	Vis à tête	1
2	107-582	Couvercle	1
3	269-1927	Cartouche thermostatique	1
4	198-014	Clapet anti-retour*	2
5	132-051	Bague de retenue*	2
6	118-319	Corps de robinet	1
7	146-079	Clip en U	1

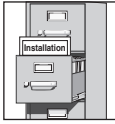
\*Inclus dans la trousse S65-326



**Adaptateur de conduite tempérée en option (réf. S39-804)**  
(remplace S59-4000 si une conduite tempérée est utilisée)



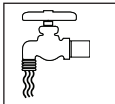
## ¡IMPORTANTE!



Lea en su totalidad este manual de instalación para garantizar una instalación adecuada. Al completar la instalación, entregue este manual al propietario o al Departamento de Mantenimiento. Es responsabilidad del instalador cumplir a cabalidad los códigos y las ordenanzas locales.



Saque las piezas del embalaje y asegúrese de haberlas sacado todas antes de desecharlo. Si falta alguna pieza, no comience la instalación hasta obtenerla.



Asegúrese de purgar todas las tuberías de suministro de agua y que éstas estén completamente cerradas antes de comenzar la instalación. Los desechos acumulados en las tuberías de suministro pueden provocar defectos en el funcionamiento de las válvulas.



Las garantías del producto se pueden encontrar en la sección "Products" (Productos) de nuestro sitio Web, [bradleycorp.com](http://bradleycorp.com).

## Materiales necesarios para la instalación:

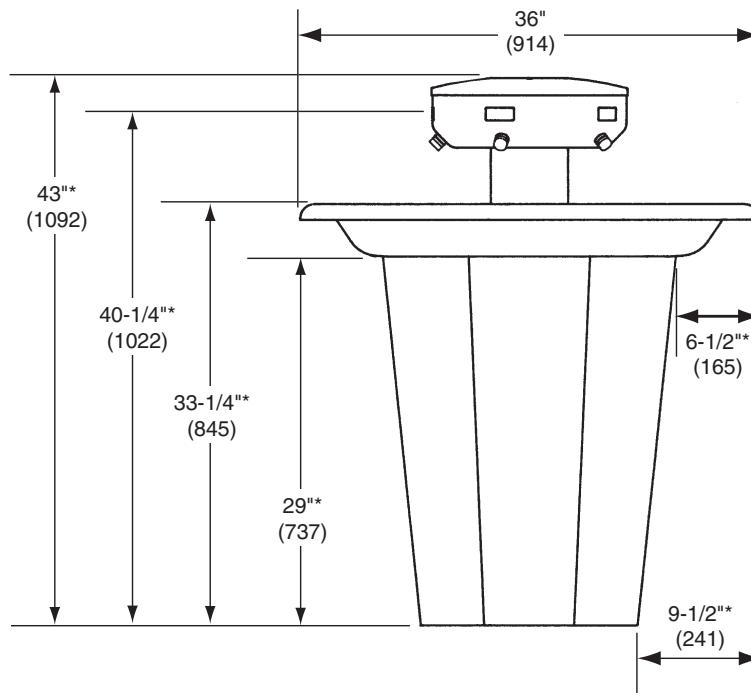
- Pernos de 3/8" de diámetro y anclajes de piso/pared para anclar el pedestal de la fuente de lavado al piso y a la pared
- Tubería de cobre nominal para agua caliente/fría de 1/2"
- Sifón en P estándar (sifón incluido con tipos de desagüe en "B" o "H" y algunos equipos opcionales)
- Conexiones y tuberías de desagüe de 1-1/2"
- Sellador para tubos

## Materiales recomendados para la instalación:

- Tubo de ventilación o conexión de 1-1/2" en tipos con ventilación a través de la columna de la fuente de lavado
- Masilla (se puede aplicar entre la protección contra salpicaduras y la palangana para evitar la acumulación de desechos)
- Conmutador de corte eléctrico a la unidad. Esta característica evita el suministro accidental de agua durante el servicio y mantenimiento normal.

# Dimensiones - Fuente de lavado circular Sentry™ de 36" (914)

(mm)



\* Reste 102 mm (4") de esta dimensión para el modelo de altura para menores.

# Dimensiones de tuberías empotradas para tubos de suministro y desagües (mm)

## Notas

La magnitud de flujo máximo necesaria para la fuente de lavado es de 1.5 GPM (5.7 LPM). Ajuste las tuberías de suministro en conformidad.

Tubos de suministro desde abajo: Que salgan 2-1/2" (64).

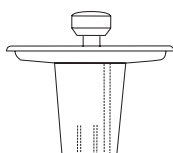
Tubos de suministros desde arriba: Los tubos de suministro deben estar ubicados en los centros de las dimensiones que se muestran para que pasen por el recubrimiento y la boquilla rociadora de la fuente de lavado.

Desagüe a través del piso: Que salga 3" (76).

## Teclas

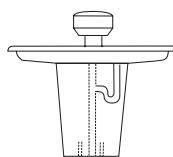
- Tubo de suministro de 1/2": Tubo de cobre nominal
- ⊕ Saliente del desagüe NPT de 1-1/2" (38) hasta 3" (76) desde el piso
- ⊗ Ubicación del conducto (recomendada)

### Tubos de suministro desde abajo o por medio de la pared



#### Tipo A

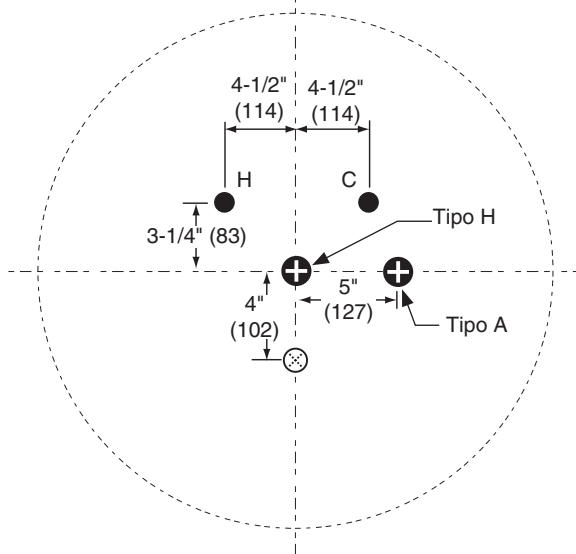
Ventilación independiente (sifón en P proporcionado por el instalador.)



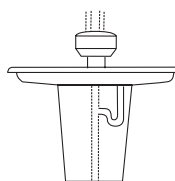
#### Tipo H

Ventilación ascendente desde el centro (el sifón en P viene con la unidad). Use en unidades con dispensadores de toallas de papel o recubrimientos.

#### Vista superior

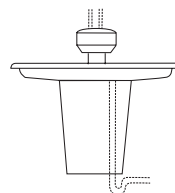


### Tubos de suministro desde arriba



#### Tipo B

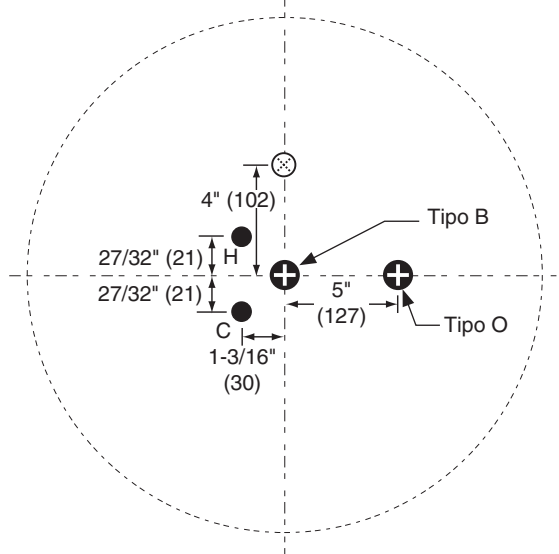
Ventilación ascendente desde el centro (el sifón en P viene con la unidad). Use en unidades con dispensadores de toallas de papel o recubrimientos.



#### Tipo O

Ventilación independiente (sifón en P proporcionado por el instalador.)

#### Vista superior



Se recomienda montar de forma remota los transformadores con suministro eléctrico de 24 V de CA en la fuente de lavado.



Las normas UPC e IPC restringen a no más de 24" (610) la distancia vertical desde la salida de la pieza fija hasta el aliviadero del sifón. Verifique las variaciones que establecen los códigos locales.



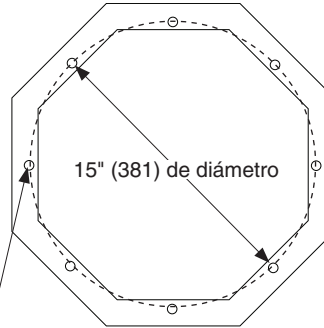
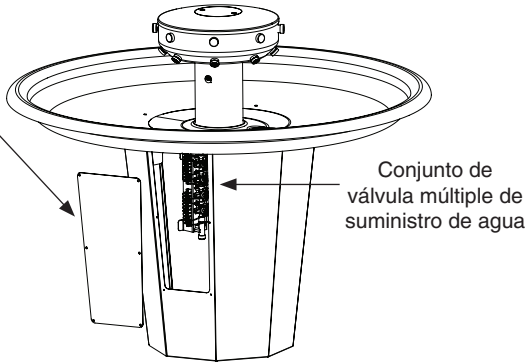
# 1 Instale y ancle la unidad



La colocación de las tuberías se debe completar antes de instalar correctamente la unidad.



**A** Retire el panel de acceso y con la ayuda de otra persona, coloque la unidad en posición.

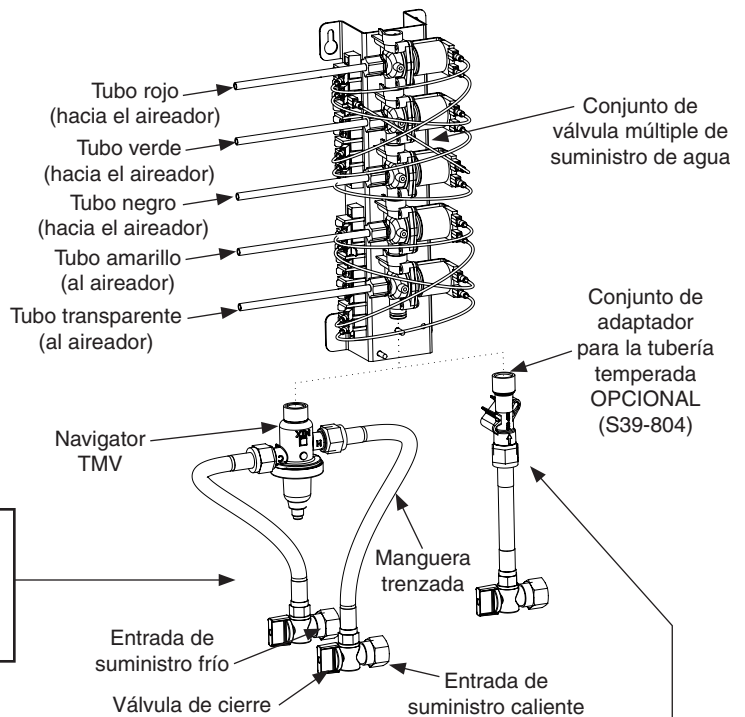


**B** Asegúrese de que la unidad esté nivelada, compensando la unidad del piso si fuese necesario. Marque las ubicaciones de los anclajes de piso usando la base como una plantilla.

**C** Instale un mínimo de cuatro pernos de 3/8" (proporcionados por el instalador) alrededor de la unidad en las ubicaciones marcadas (se recomienda instalar ocho). Fije la unidad al piso.

# 2 Conecte el suministro de agua al conjunto de la válvula

**¡ADVERTENCIA!** No permita el paso del agua hasta que el paso 3 esté completo!



**A** Conecte las válvulas de cierre al suministro de agua caliente y fría. Conecte un extremo de cada manguera de suministro a una válvula de cierre y el otro extremo a las entradas fría y caliente de Navigator TMV.

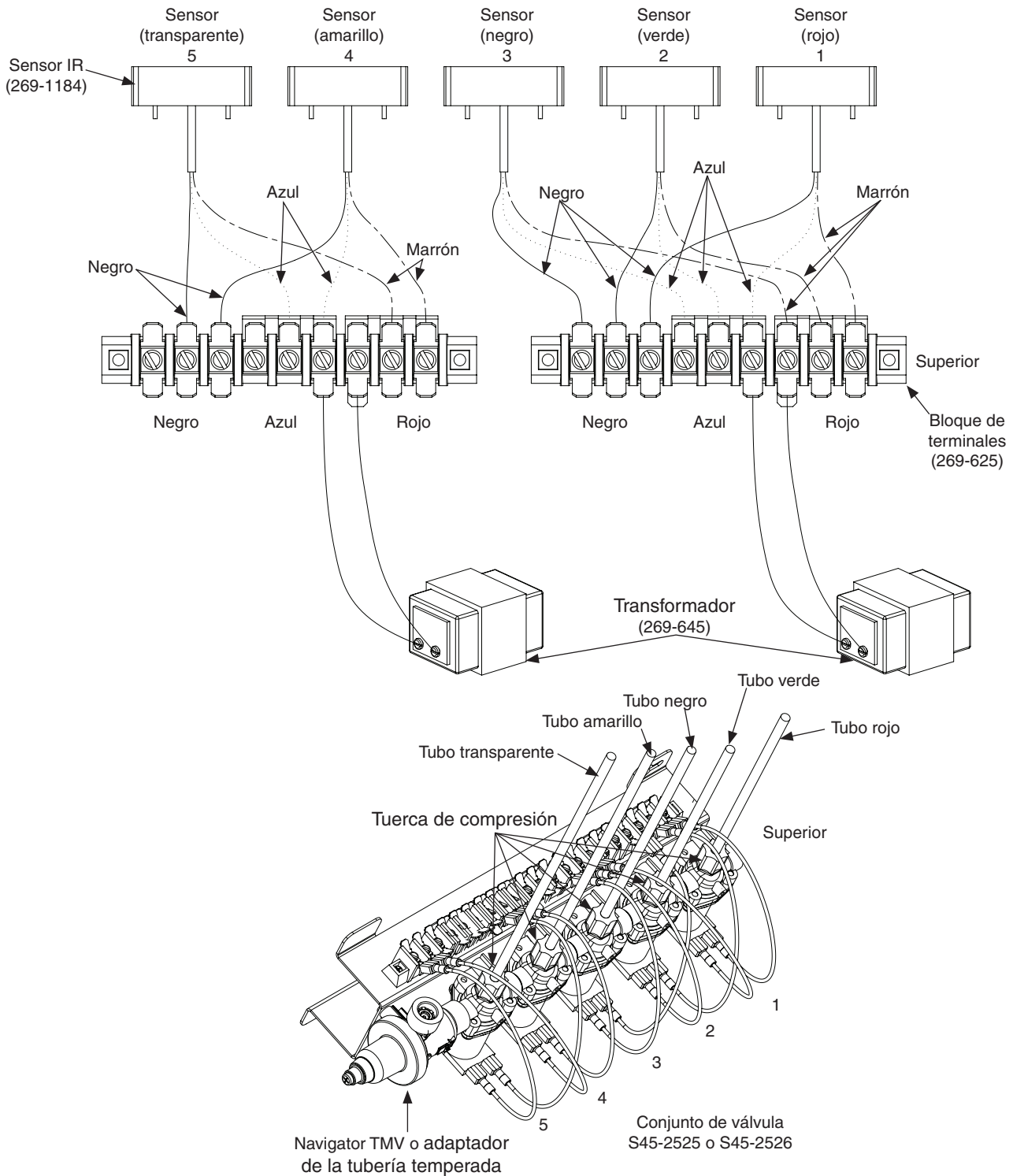
**B** CONEXIÓN DE TUBERÍA TEMPERADA OPCIONAL: Conecte la válvula de cierre al suministro. Conecte un extremo de la manguera de suministro a la válvula de cierre y el otro extremo al adaptador de la tubería temperada en el conjunto de válvula múltiple.

### 3 Realice las conexiones eléctricas

**¡ADVERTENCIA!** Su fuente de lavado Sentry **DEBE** estar conectada al transformador de 24 V CA que se proporciona. Una conexión a 110 V CA provocará daños a los componentes electrónicos y podría provocar lesiones Consulte la hoja de instrucciones 215-1503 para obtener más información.



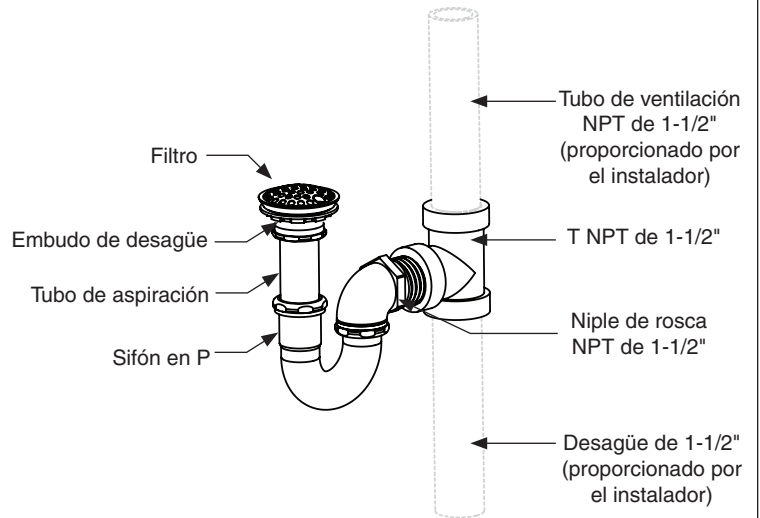
**¡DETÉNGASE!** Si instala el recubrimiento/anillo deslizante opcional o los dispensadores de toallas, complete aquellas instalaciones antes de pasar al paso 4 (consulte la página siguiente).



## 4 Conecte el desagüe

**Ventilación independiente (Tipo A u O):** Conecte el sifón en P de 1-1/2" y el tubo de desagüe (proporcionado por el instalador) al embudo de desagüe.

**Ventilación ascendente desde el techo (Tipo B o H) o modelos con dispensadores de toallas de papel opcionales:** Conecte el sifón en P ventilado (proporcionado) y el tubo de desagüe como se muestra.



## 5 Encienda el suministro de agua y electricidad, pruebe y ajuste la unidad

**A** Encienda la energía hacia el transformador. Los solenoides emitirán un zumbido cuando se active un sensor. Si no existe un zumbido, revise el cableado.

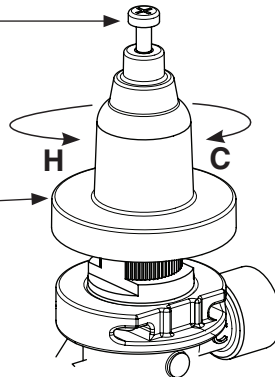
*Revise para asegurarse de que las válvulas de retención estén abiertas antes de encender el suministro de agua.*

**B** Encienda el suministro de agua y revise que no hayan filtraciones. Active cada sensor IR para purgar aire de las tuberías.

*La válvula Vernatherm TMV NO viene configurada de fábrica. Luego de la instalación, se debe verificar y ajustar esta válvula para garantizar un suministro de agua a una temperatura segura. El agua, a una temperatura superior a 110° F (43° C) puede provocar quemaduras.*

**C** Suelte el tornillo de cabeza unos 1/4" (6mm) (4 a 6 giros) y levante la cubierta (sin quitarla).

**D** Utilizando la cubierta, gire con cuidado el cartucho hasta alcanzar la temperatura del agua que desee. No gire más allá de los topes, ya que se puede dañar la unidad. Presione la cubierta hacia abajo y apriete el tornillo.



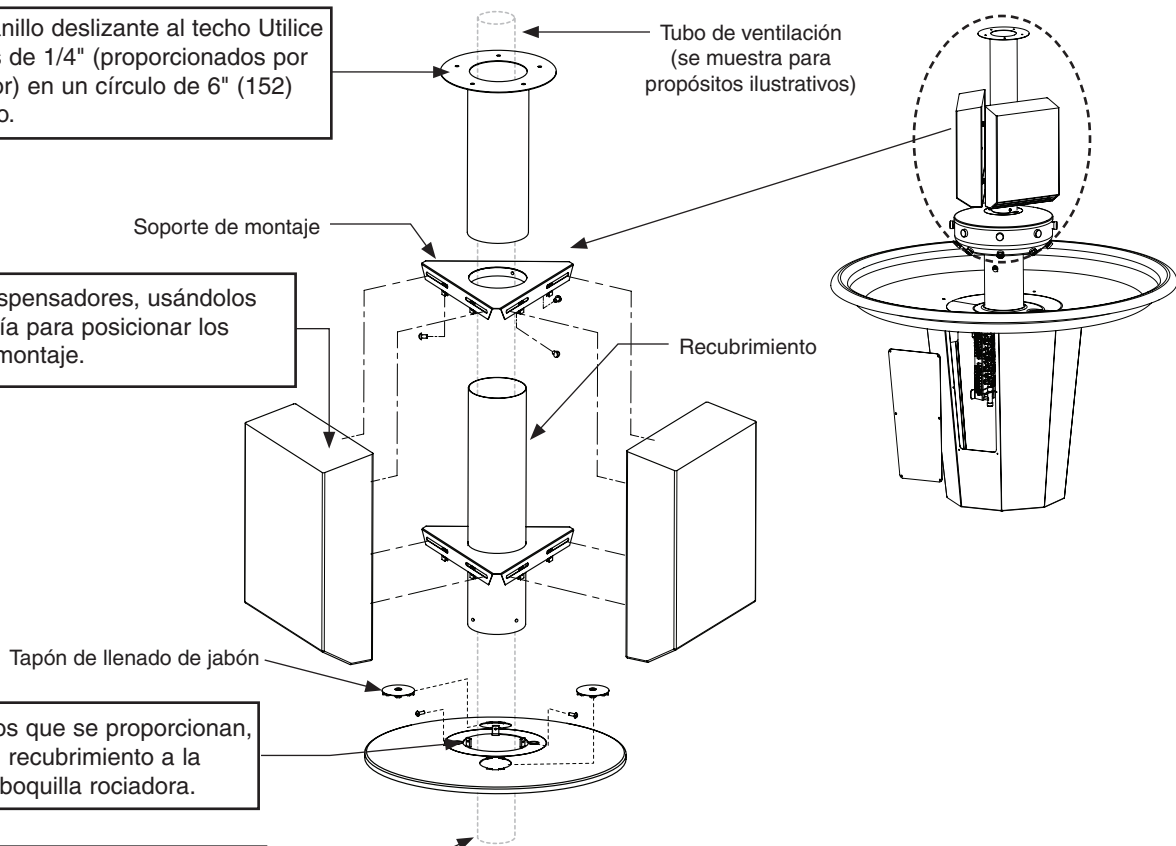
## Dispensadores de toallas y recubrimiento de 4" opcionales

**A** Acople el anillo deslizante al techo Utilice (5) tornillos de 1/4" (proporcionados por el instalador) en un círculo de 6" (152) de diámetro.

**B** Acople los dispensadores, usándolos como una guía para posicionar los soportes de montaje.

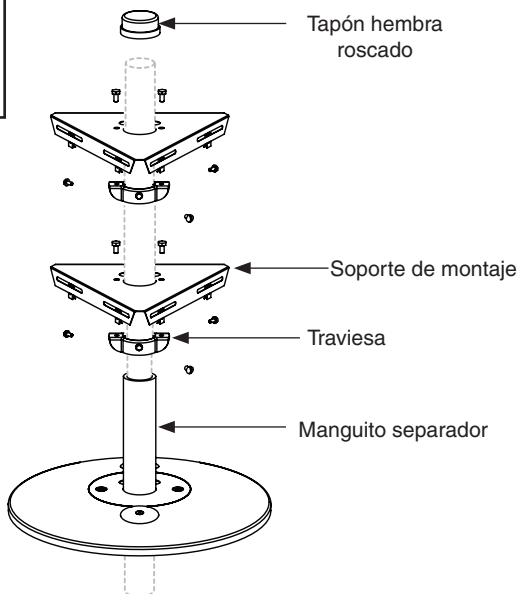
**C** Con los tornillos que se proporcionan, fije la base del recubrimiento a la cubierta de la boquilla rociadora.

**D** Conecte la base del tubo de ventilación al desagüe como se describe en el paso 3.



## Soportes de montaje de dispensador opcional para tubos de 1-1/2"

**A** Monte los soportes para un tubo de 1-1/2" en forma similar a la anterior. Fije los soportes en su posición con soportes de travesía como se muestra.



## Limpieza del acero inoxidable

**Descripción del material:** El acero inoxidable es extremadamente duradero, y su mantenimiento es simple y económico. Sin embargo, un cuidado adecuado, en especial bajo condiciones de corrosión, es esencial. Siempre comience con la solución más simple, avanzando hacia las más complicadas.

**Limpieza de rutina:** Límpielo diariamente, o con la frecuencia necesaria, con una solución de agua tibia y jabón, detergente o amoníaco. Aplique la solución de limpieza según las instrucciones de fábrica; además, use siempre un paño o una esponja suave para no dañar el acabado.

**Manchas rebeldes:** Para quitar las manchas del acero inoxidable, use un limpiador adecuado o un limpiametales como el limpiador para acero inoxidable Ball®, o bien, un abrasivo suave. Siempre siga las instrucciones de fábrica y aplíquelos en la misma dirección que las líneas de pulido.

**¡ATENCIÓN! Nunca use fibra metálica ni cepillos de acero comunes sobre el acero inoxidable. Siempre use fibra metálica de acero inoxidable o cepillos de acero de las mismas características.**

### Situaciones especiales para el material

**Marcas de dedos y embarraduras:** Para quitar las marcas de dedos y las embarraduras, use un limpiador de alta calidad para acero inoxidable, de acuerdo con las instrucciones de fábrica. Muchos de estos productos dejan una capa protectora que ayuda a evitar futuras embarraduras y marcas de dedos.

**Grasa y aceite:** Para quitar la grasa y el aceite, use un detergente comercial de calidad o un limpiador cáustico. Aplíquelo de acuerdo con las instrucciones del fabricante y en dirección de las líneas de pulido.

**Precauciones:** Evite que el equipo de acero inoxidable tenga contacto prolongado con cloruros (blanqueadores, sales), bromuros (agentes desinfectantes), tiocianatos (pesticidas, agentes químicos para fotografía y algunos alimentos) y yoduros, especialmente si existen condiciones ácidas.

**¡ATENCIÓN! No deje que las soluciones salinas se sequen y evaporen sobre el acero inoxidable.**

La aparición de líneas de óxido en el acero inoxidable hace pensar que éste se está oxidando. Busque el origen real del óxido en algunas partículas de hierro o acero que se puedan estar tocando, pero que en realidad no sean parte de la estructura de acero inoxidable.

**AVISO: Los limpiadores extremadamente ácidos o cáusticos pueden atacar el acero, ocasionando la aparición de una película rojiza. Se debe evitar el uso de este tipo de limpiadores.**

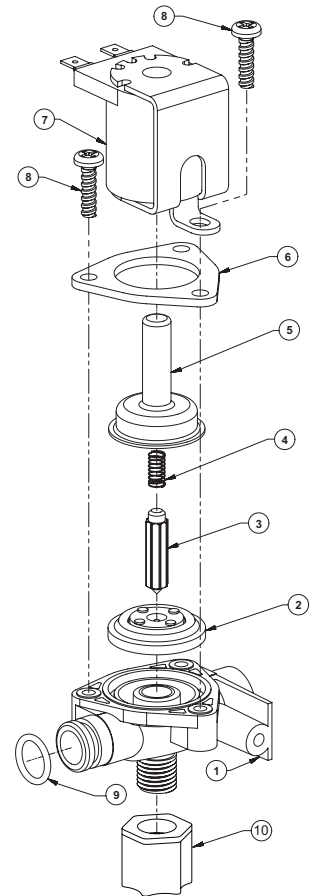
**Productos de marca:** El uso de productos de marca sólo tiene por objeto indicar un tipo de limpiador. Por lo que no constituye una promoción; tampoco la omisión de algún limpiador de marca implica que éste sea inadecuado. Muchos de los productos nombrados tienen una distribución regional, por lo que sólo se pueden encontrar tanto en supermercados como en tiendas de departamentos o ferreterías locales, o bien, a través de su servicio de limpieza. Es de suma importancia que todos los productos se usen de acuerdo con las instrucciones del embalaje.

## Solución de problemas – Válvula solenoide



Cierre los suministros de agua hacia la unidad antes de solucionar problemas.

Artículo	Cantidad	Nº de pieza	Descripción	Kits de reparación		
				S65-113	S07-067 (Cuerpo cerrado)	S07-067A (Cuerpo abierto)
1	1	118-307	Cuerpo de la válvula, 1/4" cerrado	-	X	-
1	1	118-307A	Cuerpo de la válvula, 1/4" abierto	-	-	X
2	1	269-983	Diafragma	X	X	X
3	1	269-577	Inducido	X	X	X
4	1	269-578	Resorte	X	X	X
5	1	269-1729	Envuelta del inducido	-	X	X
6	1	269-1730	Abrazadera, envuelta del inducido	-	X	X
7	1	269-579	Bobina, válvula solenoide	-	X	X
8	3	160-447	Tornillo, nº 8 x 5/8	-	X	X
9	1	125-165	Junta tórica nº 2-013	-	X	X
10	1	110-231	Tubo de 1/4" con tuerca de compresión	-	-	-



Problema	Causa	Solución
Una estación de operación individual no se puede cerrar y gotea.	Hay desechos atrapados entre el diafragma y el asiento de la válvula.	<p>Elimine los desechos que hayan entre el diafragma y el asiento de la válvula.</p> <ol style="list-style-type: none"> <li>1. Quite los tres tornillos Phillips nº 8 que mantienen unido el conjunto de la válvula solenoide. Tenga cuidado de no soltar el inducido o el resorte.</li> <li>2. Retire el diafragma. Retire cualquier partícula atrapada entre el diafragma y el asiento de la válvula. Enjuague el diafragma y revíselo en busca de daños. Asegúrese de que el orificio central y ambos orificios laterales pequeños estén abiertos.</li> <li>3. Vuelva a ensamblar en orden inverso (no apriete en exceso los tornillos Phillips o podrá agrietar el cuerpo de plástico de la válvula). Apriete hasta que la placa del inducido entre en contacto con el cuerpo de plástico.</li> <li>4. Vuelva a conectar el cableado.</li> </ol>
No se pudo encender una estación de operación individual.	Una bobina con fallas para la válvula o una conexión eléctrica suelta hacia el terminal.	<p>Pruebe la estación para determinar la causa.</p> <ol style="list-style-type: none"> <li>1. Desconecte los cables de la bobina de una válvula adyacente. Desconecte los cables de la válvula con problemas y vuelva a conectarlos a la válvula adyacente.</li> <li>2. Encienda el suministro de electricidad y agua hacia la unidad. Pase su mano por la parte delantera del sensor de la estación con problemas y debiera encenderse la estación adyacente.</li> </ol> <p>Si la estación adyacente se enciende y realiza un ciclo normal, sustituya la bobina en la válvula con problemas.</p> <p>Si la válvula adyacente no se enciende, revise el cableado del cable del sensor y haga lo siguiente:</p> <ul style="list-style-type: none"> <li>• asegúrese de que no haya interrupciones y que los terminales de desconexión completamente aislados estén bien fijos en su lugar;</li> <li>• apague los suministros de electricidad y de agua;</li> <li>• vuelva a conectar la válvula adyacente y encienda el suministro de agua hacia la unidad;</li> <li>• pase su mano por la parte delantera del sensor. Si la estación no se enciende, sustituya el sensor.</li> </ul>

## Solución de problemas de la válvula mezcladora termostática

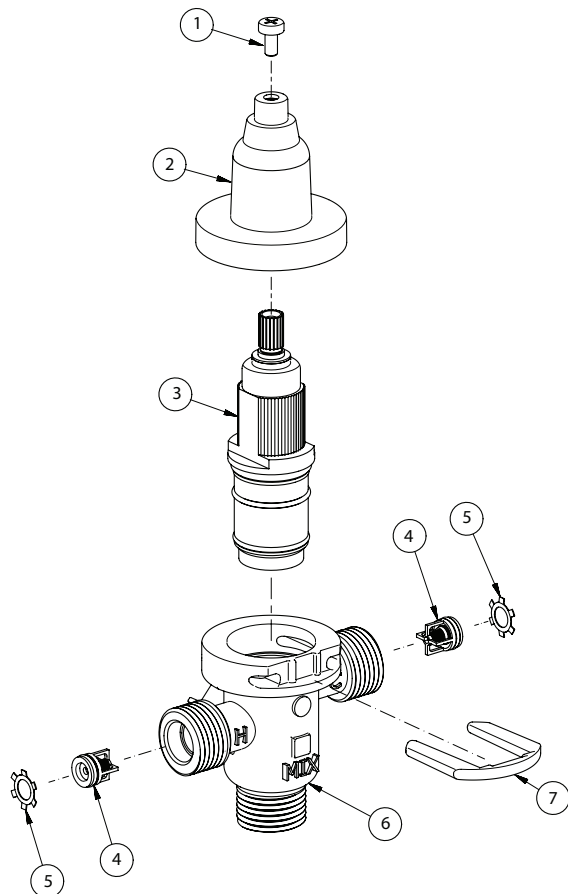
Antes de intentar solucionar problemas de la válvula o desensamblar los componentes, verifique las siguientes condiciones:

- Si se usan válvulas de cierre, compruebe que estén totalmente abiertas.
- Compruebe que los tubos de entrada de agua caliente y fría estén conectados correctamente, y que no existan conexiones cruzadas o válvulas de cierre con filtraciones.
- Revise la salida del calentador de agua caliente para comprobar que esté al menos a 5,5 °C (10 °F) por sobre la temperatura establecida.



Asegúrese de cerrar las válvulas de retención correspondientes antes de desensamblar la válvula, y vuelva a abrir las válvulas después de completar la inspección y la reparación.

Problema	Causa	Solución
Filtraciones externas.	Juntas tóricas o cartuchos dañados.	Sustituya el cartucho con la pieza número 269-1927.
Temperatura del agua o fluctuación de la temperatura incorrecta.	El suministro de agua caliente no está a 5,5 °C (10 °F) sobre el punto de ajuste deseado.	Aumente la temperatura del suministro de agua caliente.
	La temperatura de la válvula no está ajustada correctamente.	Ajuste la temperatura según se muestra en la página 24, paso 5.
Flujo de agua limitado.	La suciedad y los desechos se han acumulado en la válvula o en el filtro.	<ol style="list-style-type: none"> <li>1. Verifique que los suministros de agua fría y caliente estén conectados a la válvula mezcladora Navigator y que tengan flujo de agua.</li> <li>2. Retire la cubierta y la abrazadera en U. Retire el cartucho y limpie el filtro. No es necesario engrasar el cartucho; sin embargo, si desea hacerlo, sólo utilice grasa de silicona. No utilice grasa en las válvulas de retención.</li> </ol>



### Lista de piezas

Artículo	N.º de pieza	Descripción	Cantidad
			S59-4000
1	160-463	Tornillo de cabeza	1
2	107-582	Cubierta	1
3	269-1927	Cartucho termostático	1
4	198-014	Válvula de retención*	2
5	132-051	Anillo de retención*	2
6	118-319	Cuerpo de la válvula	1
7	146-079	Abrazadera en U	1

\* Se incluye con el conjunto preempaquetado S65-326

**Opción de adaptador para tubería temperada (n.º de pieza S39-804)**  
(reemplaza a S59-4000 si se usa una tubería temperada)

